

KLT-OIS-3A-AF-IMX258 V1.0

13MP Sony IMX258 OIS MGS MIPI Interface Auto Focus Camera Module



Camera Module No.	KLT-OIS-3A-AF-IMX258 V1.0
Resolution	13MP
Image Sensor	IMX258 w/ MGS OIS
Sensor Type	1/3.06"
Pixel Size	1.12 um x 1.12 um
EFL	2.35 mm
F.NO	2.40
Stabilization Method	Optical Image Stabilization (OIS)
Stabilizer Type	Micro Gimbal Stabilizer (MGS)
Stabilizer Axis No.	2 Axis (Pitch and Yaw)
Stabilizer Angle	Max. 3.0°
Stabilizer Power	180 mW
Pixel	4224 x 3136
View Angle	127.0°(DFOV) 95.5°(HFOV) 70.0°(VFOV)
Lens Dimensions	19.0 x 19.0 x 9.90 mm
Module Type	Auto Focus
Auto Focus VCM Driver IC	DW9763
Lens Model	KLT-LENS-TK1267
Interface	MIPI
Lens Type	650nm IR Cut
Operating Temperature	-20°C to +70°C
Mating Connector	BAF04-30083-0500



KLT-OIS-3A-AF-IMX258 V1.0

13MP Sony IMX258 OIS MGS MIPI Interface Auto Focus Camera Module



Top View

www.KaiLapTech.com



Side View

www.KaiLapTech.com



Bottom View

www.KaiLapTech.com

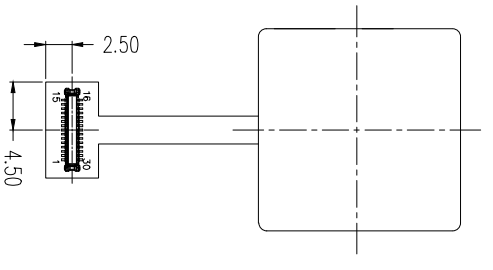
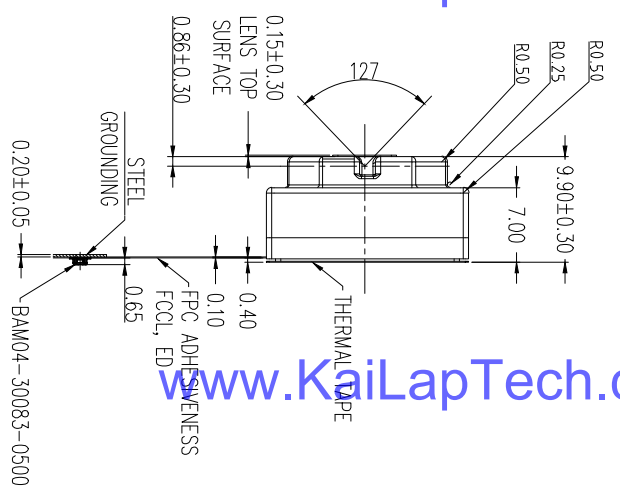
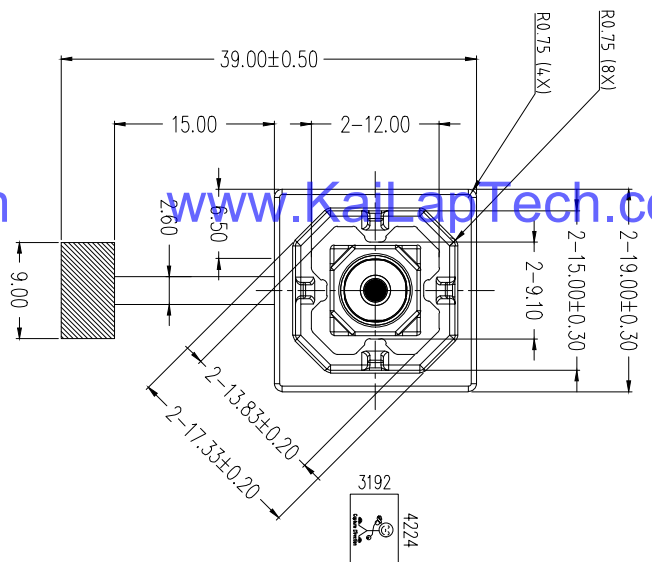


Mating Connector

www.KaiLapTech.com

RoHS

PIN	SIGNAL
1	VCM_GND
2	VCM_GND
3	VCM_3.3V
4	SDA
5	SCL
6	MIP1_GND
7	MCN
8	MCP
9	MDN0
10	MDP0
11	MDN1
12	MDP1
13	Tool0(NC)
14	MDN2
15	MDP2
16	MDN3
17	MDP3
18	AGND
19	AVDD_2.8V
20	VCM_3.3V
21	DGND
22	MCLK
23	DGND
24	/RST(NC)
25	PWDN(XCLR)
26	DVDD_1.2V
27	VDDIO_1.8V
28	Reset_N(GPIO)
29	ID(NC)
30	DGND



TOP VIEW

SIDE VIEW

BOTTOM VIEW

- Remark:
1. Sensor 12C Slave Address: 0X34(W)/0X35(R)
 2. MGS Driver 12C Slave Address: 0X52(W)/0X53(R)
 3. VCM_3.3V: 3.3V(+/-0.05V) during operation
 4. AVDD_2.8V: 2.8V(+/-0.05V) during operation
 5. Reset_N: Connected to GPIO for the purpose of MGS ON/OFF, the pin is internal pull high, active low (MGS OFF)
 6. Tool0: NC, reserved

PARAMETERS

Sensor Specification

Image Sensor: IMX258
 Pixel: 1.12umx1.12um
 Lens Type: 1/3.06"
 Important Voltage Description:
 VCM_3.3V: 3.3V
 AVDD_2.8V: 2.8V
 VDDIO_1.8V: 1.8V
 DVDD_1.2V: 1.2V

Lens specification:

F_{OV}: 127°(D),99.5°(H),70°(V)
 F/NO: 2.4
 TV distortion: <-10.5%
 Focal length: 2.35mm
 Composition: 6P+IR FILTER
 IR Cut Coating: 650nm±10nm@50%

Kai Lap Technologies Group Ltd

DESIGNED BY	Kevin	MODEL NAME	KLT-OIS-3A-AF-IMX258 V1.0
CHECKED BY	Aouly Yan	Projection Type: Unit:	Material: -----
		Scale: 1:1	Sheet: 1 of 1
			Version: 1.0

Version	Information	Date
V1.0	First Version	6-30-2020



Micro Gimbal Stabilizer (MGS) OIS Camera Modules

Micro Gimbal Stabilizer (MGS) is the patented mechanical optical image stabilizer (OIS) for camera modules. The MGS technology is tilting the image sensor and lens together, enabling anti-shaking performance for moving devices to take a sharp and clear image, even in the low light environment.



Features

2-Axis Compensation
Small, Light Weight
18.80x18.80x15.80mm



Smallest Gimbal



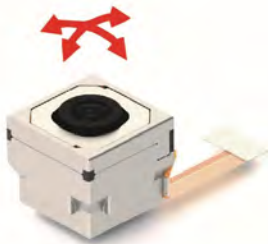
Multi-Axis Compensation



Embedded Moving FPC



One-stop Solution



Stabilizer



Max. View Angle



Integrated Design



Patents

Applications



5G Smart Helmet



Sport Camera



Drones



Robots

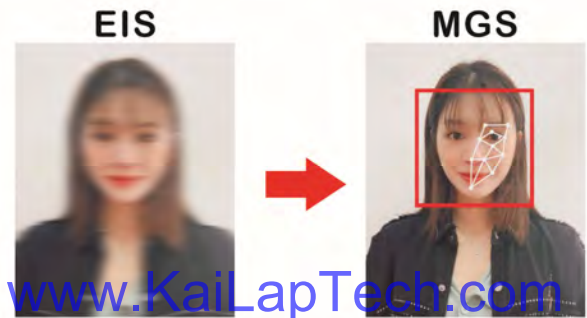
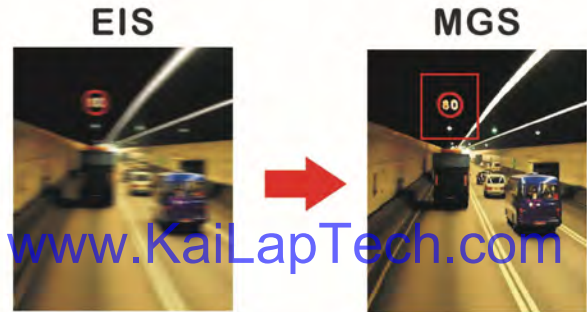


Wearable Cameras



Micro Gimbal Stabilizer (MGS) for Mobile Phones

Micro Gimbal Stabilizer (MGS) is fitting in the compact size, enabling the smartphones and tablet PC to take clear images in the moving environment.



Lens Model: KLT-LENS-TK1267

由 Autodesk 教育版产品制作

COMPOSITION: 6 ELEMENTS, ALL PLASTIC			由 Autodesk 教育版产品制作	
SENSOR: 1/3.1" CMOS DIAGONAL=5.7)			由 Autodesk 教育版产品制作	
EFL=2.35			由 Autodesk 教育版产品制作	
TTL=5.4±0.1 (INFINITY, WITH 0.145mm IR FILTER)			由 Autodesk 教育版产品制作	
FNO=2.4±5% (INFINITE) FIELD OF VIEW DIAGONAL: 106° (γ° = 2.85)			由 Autodesk 教育版产品制作	
TV-DISTORTION (Treaditional)*2) < -10.5%		由 Autodesk 教育版产品制作		
RELATIVE ILLUMINANCE=25% (0°) = 2.85 (Ref.)		由 Autodesk 教育版产品制作		
CHIEF RAY ANGLE < 33°		由 Autodesk 教育版产品制作		
MAXIMUM IMAGE CIRCLE: φ6.05		由 Autodesk 教育版产品制作		

AL	2019.08.19	新图发行	内 容	作 图	审 核	批 准	备 注
版次	年.月.日						

角 法	一 般	单 位	比 例	材 质	备 注
0	±0.1	mm	1:1		名称
0.0	±0.1	mm			打种
0.00	±0.05	mm			图号
0.00	±0.05	mm			A20
					版 次
					A2

由 Autodesk 教育版产品制作

1. General Description

The DW9763 is a single 10-bit DAC with 100mA output current sinking capability and embedded 8KByte eFlash memory. Designed for linear control of voice coil motors, the DW9763 is capable of operating voltage up to 3.3V.

The SAC (Smart Actuator Control) mode is applied to minimize the mechanical vibration. The SAC mode highly improves the actuator's settling time and tolerance coverage compared with conventional LSC (Linear Slope Control) mode. The DAC and eFlash are controlled via an I2C compatible serial interface.

The DW9763 incorporates with a POR (Power On Reset) circuit, power down mode. POR circuit gets to operate when VDD (supply power) turns on. The output current keeps 0mA until valid register value takes place. During the power down mode, it consumes current max.1uA.

The DW9763 is designed for auto focus and optical zoom for mobile camera, digital still camera, camcorders and other nano actuator applications.

■ Features

- 10 bit resolution current sinking of 100mA for VCM
- SAC (Smart Actuator Control) mode
- Supply voltage range (VDD) : 2.3V to 3.3V
- Fast mode I2C interface compatible (1.8V interface available)
- Power down mode
- Power on reset (POR)
- Embedded 8KByte eFlash memory
- Package : 8 pin WLCSP
- Package Size : 0.77mm X 1.75mm X 0.3mm

www.KaiLapTech.com

www.KaiLapTech.com

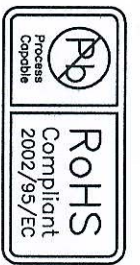
www.KaiLapTech.com

■ Applications

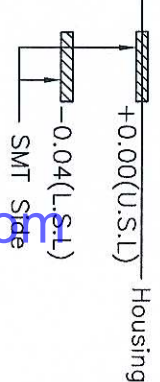
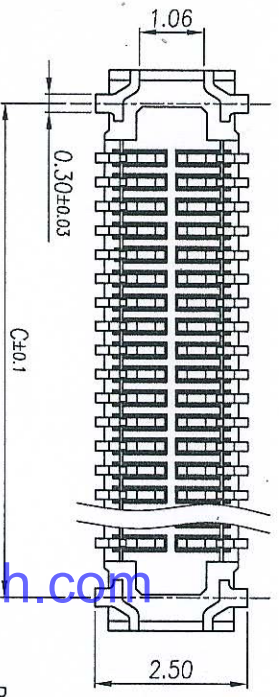
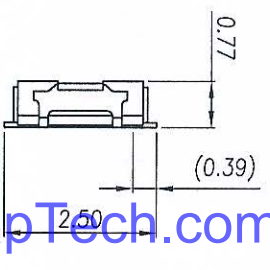
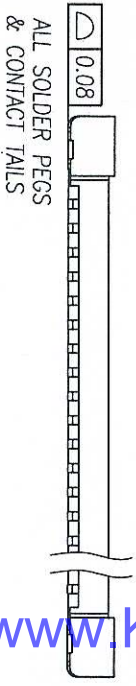
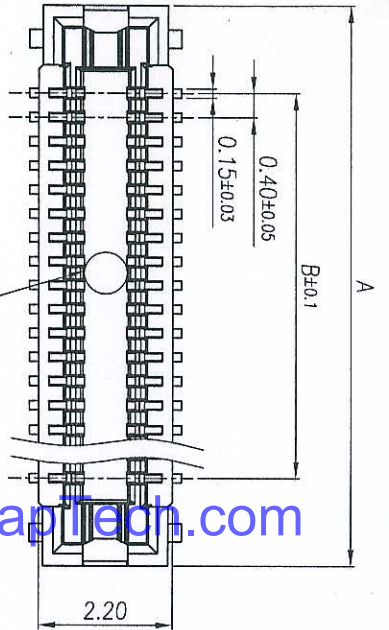
- Mobile camera
- Digital still camera
- Camcorder
- Web camera
- Nano actuator

www.KaiLapTech.com

www.KaiLapTech.com



REV.	Q'TY	ECN. NO.	APR.	DATE
A	--	RC-12-2-019	Juson Su	2012.08.07



- NOTES:
- MATERIAL:
 - HOUSING: THERMOPLASTIC UL94 V-0, BLACK;
 - CONTACT: COPPER ALLOY, T=0.08mm
 - FINISH:
 - CONTACT: Au 5u" MIN PLATING ON CONTACT AREA, Au 1u" MIN. PLATING ON SOLDER TAIL, 50u" MIN. NICKEL UNDERPLATING OVER ALL
 - PRODUCT SPECIFICATIONS:
 - VOLTAGE RATING: 60V AC/DC
 - CURRENT RATING: 0.3A/CONTACT (MAX. 5A AT TOTAL CONTACT)
 - INSULATION RESISTANCE: 100MEG.OHM MIN(INITIAL)
 - WITHSTANDING VOLTAGE: 150V AC FOR 1 MINUTE
 - CONTACT RESISTANCE: 70 MILL.OHM MAX PER PIN INITIAL, AFTER CONDITION ΔR=20 MILL.OHM Max.
 - OPERATION TEMPERATURE: -55° TO +85°
 - MATING FORCE: 120g Max./POS.
 - UNMATING FORCE: 15g Min./POS.
 - DURABILITY: 30 CYCLES

PART NO: BAF04-XX083-0500

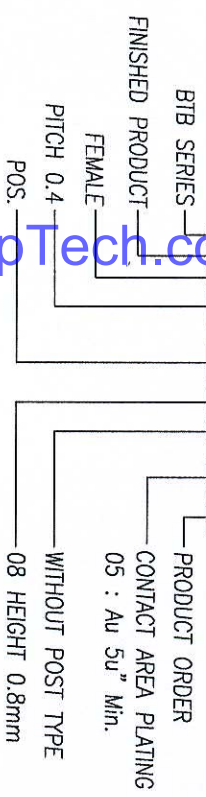
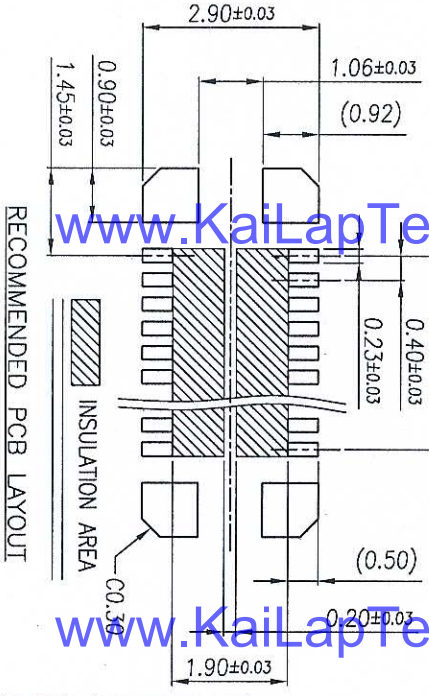


TABLE:

60	14.50	11.60	13.40	
50	12.50	9.60	11.40	
40	10.50	7.60	9.40	
34	9.30	6.40	8.20	
30	8.50	5.60	7.40	⊙
26	7.70	4.80	6.60	
24	7.30	4.40	6.20	⊙
20	6.50	3.60	5.40	
16	5.70	2.80	4.60	
10	4.50	1.60	3.40	⊙
Pos No:	A	B	C	Available



ICN Shenzhen Linkconn Electronics Co., Ltd.

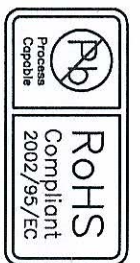
DIMENSION IN mm	TOLERANCE UNLESS OTHERWISE SPECIFIED	
X ± 0.35	X ± 5'	APR.
.XX ± 0.25	X ± 3'	CHK.
.XXX ± 0.15	.XX ± 1'	DRA Kevin Wang 2012.08.07

TITLE: 0.4mm PITCH BTB FEMALE MATING HEIGHT 0.8mm

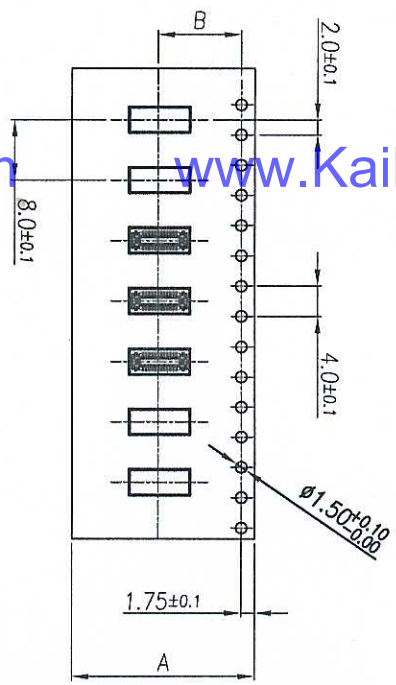
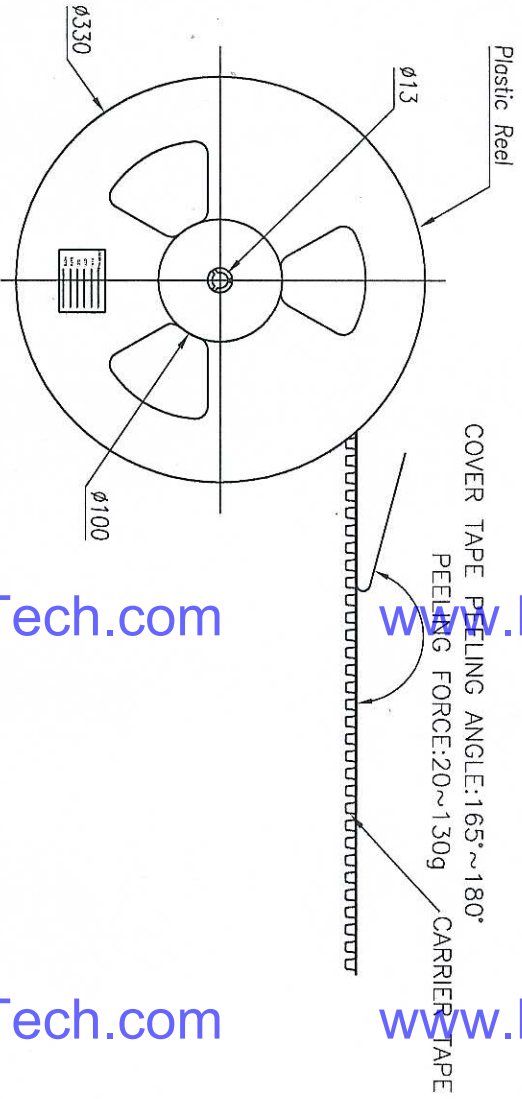
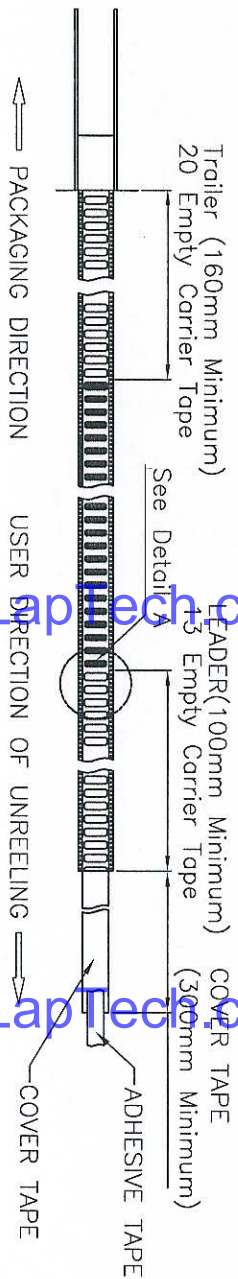
DWG NO: BAF04-24083-0500

PROJ. SCALE N/A SHEET 1/2 CUSTOMER DRAWING

REV. A



REV.	QTY	EQN. NO.	APR.	DATE
A	--	RC-12-2-019	Jason Su	2012.08.07



POS NO	DIM A	DIM B	QTY/REEL	REEL/CARTON	QTY/CARTON	CARTON SIZE
60						
50						
40	24.00	11.50	3000	10	30000	340*340*350
30						
26						
24						
20						
16	16.00	7.50	3000	14	42000	340*340*350
10						

DIMENSION IN mm		TOLERANCE UNLESS OTHERWISE SPECIFIED	
X±	0.35	X:±	1.5'
.XX±	0.25	.X:±	1.0'
.XXX±	0.15	.XX:±	0.5'

LCM Shenzhen Linkcom Electronics Co., Ltd.

TITLE: 0.4mm PITCH BTB FEMALE
MATING HEIGHT 0.8mm
DWG NO: BAF04-24083-0500

PROJ. SCALE N/A SHEET 2/2 CUSTOMER DRAWING
REV. A

www.KaiLapTech.com

www.KaiLapTech.com

www.KaiLapTech.com

www.KaiLapTech.com

[Product Brief]

Ver.1.0

IMX258

Diagonal 5.867 mm (Type 1/3.06) 13Mega-Pixel CMOS Image Sensor with Square Pixel for Color Cameras

Description

IMX258 is a diagonal 5.867mm (Type 1/3.06) 13 Mega-pixel CMOS active pixel type stacked image sensor with a square pixel array. It adopts Exmor RSM technology to achieve high speed image capturing by column parallel A/D converter circuits and high sensitivity and low noise image (comparing with conventional CMOS image sensor) through the backside illuminated imaging pixel structure. R, G, and B pigment primary color mosaic filter is employed. By introducing spatially multiplexed exposure technology, high dynamic range still pictures and movies are achievable. It

equips an electronic shutter with variable integration time. It operates with three power supply voltages: analog 2.7 V, digital 1.2 V and 1.8 V for input/output interface and achieves low power consumption.

In addition, this product is designed for use in cellular phone and tablet pc. When using this for another application, Sony does not guarantee the quality and reliability of product. Therefore, don't use this for applications other than cellular phone and tablet pc. Consult your Sony sales representative if you have any questions.

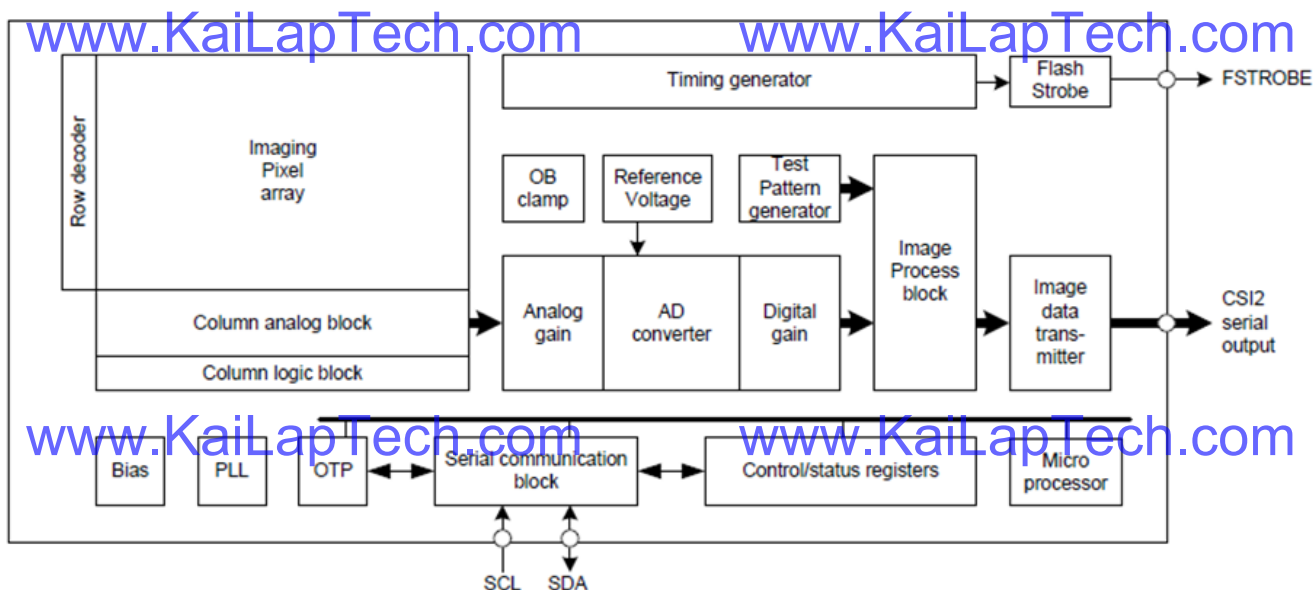
Functions and Features

- ◆ Back-illuminated and stacked CMOS image sensor Exmor RSM
- ◆ Phase Detection pixel data output for Phase Detection Auto Focus
- ◆ High Dynamic Range (HDR) mode with raw data output.
- ◆ High signal to noise ratio (SNR).
- ◆ Full resolution @30fps (Normal / HDR). 4K2K @30fps (Normal / HDR) 1080p @60fps (Normal)
- ◆ Output video format of RAW10/8.
- ◆ Pixel binning readout and V sub-sampling function.
- ◆ Independent flipping and mirroring.
- ◆ CSI-2 serial data output (MIPI 2lane/4lane, Max. 1.3Gbps/lane, D-PHY spec. ver. 1.1 compliant)
- ◆ 2-wire serial communication.
- ◆ Two PLLs for independent clock generation for pixel control and data output interface.
- ◆ Dynamic Defect Pixel Correction.
- ◆ Fast mode transition. (on the fly)
- ◆ Dual sensor synchronization operation.
- ◆ 4K bit of OTP ROM for users.
- ◆ Built-in temperature sensor.

Device Structure

- ◆ CMOS image sensor
- ◆ Image size : Diagonal 5.867 mm (Type 1/3.06)
- ◆ Total number of pixels : 4224 (H) × 3192 (V) approx. 13.48 M pixels
- ◆ Number of effective pixels : 4224 (H) × 3144 (V) approx. 13.28 M pixels
- ◆ Number of active pixels : 4208 (H) × 3120 (V) approx. 13.13 M pixels
- ◆ Chip size : 5.990 mm (H) × 3.908 mm (V)
- ◆ Unit cell size : 1.12 μm (H) × 1.12 μm (V)
- ◆ Substrate material : Silicon

System block diagram



www.KaiLapTech.com

www.KaiLapTech.com

Exmor RS

* Exmor RS is a trademark of Sony Corporation. The Exmor RS is a Sony's CMOS image sensor with high-resolution, high-performance and compact size by replacing a supporting substrate in Exmor R™ which changed fundamental structure of Exmor™ pixel adopted column parallel A/D converter to back-illuminated type, with layered chips formed signal processing circuits.



Camera Module Pinout Definition Reference Chart

OmniVision	Sony	Samsung	On-Semi	Aptina	Himax	GalaxyCore	PixArt	SmartSens	Sensors
Pin Signal		Description							
DGND GND		ground for digital circuit							
AGND		ground for analog circuit							
PCLK DCK		DVP PCLK output							
XCLR PWDN XSHUTDOWN STANDBY		power down active high with internal pull-down resistor							
MCLK XVCLK XCLK INCK		system input clock							
RESET RST		reset active low with internal pull-up resistor							
NC NULL		no connect							
SDA SIO_D SIOD		SCCB data							
SCL SIO_C SIOC		SCCB input clock							
VSYNC XVS FSYNC		DVP VSYNC output							
HREF XHS		DVP HREF output							
DOVDD		power for I/O circuit							
AFVDD		power for VCM circuit							
AVDD		power for analog circuit							
DVDD		power for digital circuit							
STROBE FSTROBE		strobe output							
FSIN		synchronize the VSYNC signal from the other sensor							
SID		SCCB last bit ID input							
ILPWM		mechanical shutter output indicator							
FREQ		frame exposure / mechanical shutter							
GPIO		general purpose inputs							
SLASEL		I2C slave address select							
AFEN		CEN chip enable active high on VCM driver IC							
MIPI Interface									
MDN0 DN0 MD0N DATA_N DMO1N		MIPI 1st data lane negative output							
MDP0 DP0 MD0P DATA_P DMO1P		MIPI 1st data lane positive output							
MDN1 DN1 MD1N DATA2_N DMO2N		MIPI 2nd data lane negative output							
MDP1 DP1 MD1P DATA2_P DMO2P		MIPI 2nd data lane positive output							
MDN2 DN2 MD2N DATA3_N DMO3N		MIPI 3rd data lane negative output							
MDP2 DP2 MD2P DATA3_P DMO3P		MIPI 3rd data lane positive output							
MDN3 DN3 MD3N DATA4_N DMO4N		MIPI 4th data lane negative output							
MDP3 DP3 MD3P DATA4_P DMO4P		MIPI 4th data lane positive output							
MCN CLKN CLK_N DCKN		MIPI clock negative output							
MCP CLKP MCP CLK_P DCKN		MIPI clock positive output							
DVP Parallel Interface									
D0 DO0 Y0		DVP data output port 0							
D1 DO1 Y1		DVP data output port 1							
D2 DO2 Y2		DVP data output port 2							
D3 DO3 Y3		DVP data output port 3							
D4 DO4 Y4		DVP data output port 4							
D5 DO5 Y5		DVP data output port 5							
D6 DO6 Y6		DVP data output port 6							
D7 DO7 Y7		DVP data output port 7							
D8 DO8 Y8		DVP data output port 8							
D9 DO9 Y9		DVP data output port 9							
D10 DO10 Y10		DVP data output port 10							
D11 DO11 Y11		DVP data output port 11							

Cameras Applications



www.KaiLapTech.com



www.KaiLapTech.com



www.KaiLapTech.com

www.KaiLapTech.com



www.KaiLapTech.com



www.KaiLapTech.com





Camera Reliability Test

Reliability Inspection Item		Testing Method	Acceptance Criteria	
Category	Item			
Environmental	Storage Temperature	High 60°C 96 Hours	Temperature Chamber	No Abnormal Situation
		Low -20°C 96 Hours	Temperature Chamber	No Abnormal Situation
	Operation Temperature	High 60°C 24 Hours	Temperature Chamber	No Abnormal Situation
		Low -20°C 24 Hours	Temperature Chamber	No Abnormal Situation
	Humidity	60°C 80% 24 Hours	Temperature Chamber	No Abnormal Situation
	Thermal Shock	High 60°C 0.5 Hours Low -20°C 0.5 Hours Cycling in 24 Hours	Temperature Chamber	No Abnormal Situation
Physical	Drop Test (Free Falling)	Without Package 60cm	10 Times on Wood Floor	Electrically Functional
		With Package 60cm	10 Times on Wood Floor	Electrically Functional
	Vibration Test	50Hz X-Axis 2mm 30min	Vibration Table	Electrically Functional
		50Hz Y-Axis 2mm 30min	Vibration Table	Electrically Functional
		50Hz Z-Axis 2mm 30min	Vibration Table	Electrically Functional
Cable Tensile Strength Test	Loading Weight 4 kg 60 Seconds Cycling in 24 Hours	Tensile Testing Machine	Electrically Functional	
Electrical	ESD Test	Contact Discharge 2 KV	ESD Testing Machine	Electrically Functional
		Air Discharge 4 KV	ESD Testing Machine	Electrically Functional
	Aging Test	On/Off 30 Seconds Cycling in 24 Hours	Power Switch	Electrically Functional
	USB Connector	On/Off 250 Times	Plug and Unplug	Electrically Functional





Inspection Item		Inspection Method	Standard of Inspection	
Category	Item			
Appearance	FPC/ PCB	Color	The Naked Eye	Major Difference is Not Allowed.
		Be Torn/Chopped	The Naked Eye	Copper Crack Exposure is Not Allowed.
		Marking	The Naked Eye	Clear, Recognizable (Within 30cm Distance)
	Holder	Scratches	The Naked Eye	The Inside Crack Exposure is Not Allowed
		Gap	The Naked Eye	Meet the Height Standard
		Screw	The Naked Eye	Make Sure Screws Are Presented (If Any)
		Damage	The Naked Eye	The Inside Crack Exposure is Not Allowed
	Lens	Scratch	The Naked Eye	No Effect On Resolution Standard
		Contamination	The Naked Eye	No Effect On Resolution Standard
		Oil Film	The Naked Eye	No Effect On Resolution Standard
		Cover Tape	The Naked Eye	No Issue On Appearance.
	Function	Image	No Communication	Test Board
Bright Pixel			Black Board	Not Allowed In the Image Center
Dark Pixel			White board	Not Allowed In the Image Center
Blurry			The Naked Eye	Not Allowed
No Image			The Naked Eye	Not Allowed
Vertical Line			The Naked Eye	Not Allowed
Horizontal Line			The Naked Eye	Not Allowed
Light Leakage			The Naked Eye	Not Allowed
Blinking Image			The Naked Eye	Not Allowed
Bruise			Inspection Jig	Not Allowed
Resolution			Chart	Follows Outgoing Inspection Chart Standard
Color			The Naked Eye	No Issue
Noise			The Naked Eye	Not Allowed
Corner Dark			The Naked Eye	Less Than 100px By 100px
Color Resolution			The Naked Eye	No Issue
Dimension	Height	The Naked Eye	Follows Approval Data Sheet	
	Width	The Naked Eye	Follows Approval Data Sheet	
	Length	The Naked Eye	Follows Approval Data Sheet	
	Overall	The Naked Eye	Follows Approval Data Sheet	



KLT Package Solutions

KLT Camera Module



Complete with Lens Protection Film



Tray with Grid and Space



Place Cameras on the Tray





Camera Modules Package Solution

Full Tray of Cameras



Cover Tray with Lid



Put Tray into Anti-Static Bag



Vacuum the Anti-Static Bag





Camera Modules Package Solution

Sealed Vacuum Bag with Labels

- 1. Model and Description 2. Quantity 3. Shipping Date 4. Caution**





CMOS CAMERA MODULES



your BEST camera module partner

Large Order Package Solution

Place Foam Sheets Between Trays

Foam Sheets are Slightly Larger than Trays

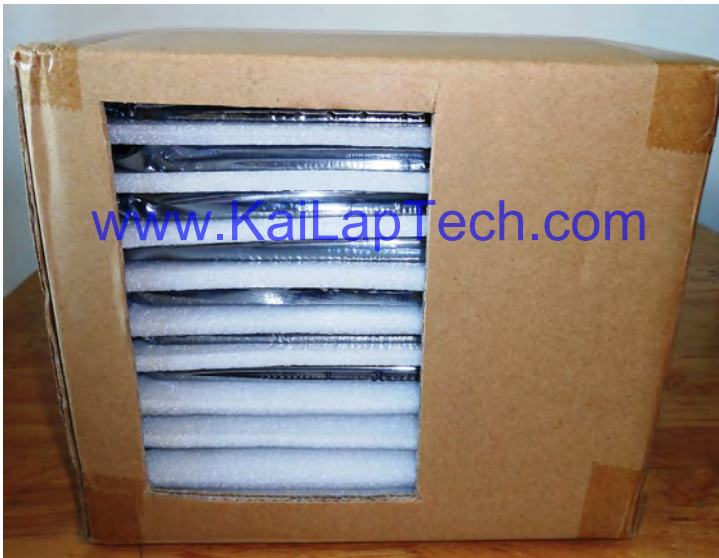


www.KaiLapTech.com

www.KaiLapTech.com

Place Foam Sheets and Trays into Box

Foam Sheets are Tightly Fitting Box



www.KaiLapTech.com sales@KaiLapTech.com Tel: (852) 6908 1256 Fax: (852) 3017 6778

All rights reserved @ Kai Lap Technologies Group Ltd. Specifications subject to change without notice.



CMOS CAMERA MODULES



your BEST camera module partner

Small Order Package Solution

Place Foam Sheets and Trays into Small Box



www.KaiLapTech.com

Package in Small Box for Shipment

Foam Sheets are Nicely Fitting the Small Box



www.KaiLapTech.com

Place Small Boxes into Larger Box



www.KaiLapTech.com sales@KaiLapTech.com Tel: (852) 6908 1256 Fax: (852) 3017 6778

All rights reserved @ Kai Lap Technologies Group Ltd. Specifications subject to change without notice.



your **BEST** camera module partner

Carbon Box Package Solution

Seal the Carbon Box

Final Package Labelled Box



Carbon Box Ready for Shipment

1. Delivery Address and Phone No.
2. Box No. and Ship Date
3. Fragile Caution





Sample Order Package Solution

Place Sample into Small Anti-Static Bag



Place Connectors into Small Ant-Static Bag



Sample Labels on the Small Bag

1. Camera Module or Connector Model
2. Shipping Date and Quantity
3. Caution





Connectors Large Order Package Solution

Connectors in a Wheel



Label Connectors in the Wheel



The Wheel is Perfectly Fitting the Box



Connectors Box Ready for Shipment



Company Kai Lap Technologies (KLT)

Kai Lap Technologies Group Limited. (KLT) was established in 2009, a next-generation technology driven manufacturer specialized in research, design, and produce of audio and video products. KLT is occupying 20,000 square feet automated plants with 100 employees of annual throughput 30,000,000 units cameras.

KLT provides OEM, ODM design, contract manufacturing, and builds the camera products. You may provide the requirements to us, even with a hand draft, our sales and engineering work together to meet your needs. We consider ourselves your last-term partner in developing practical and innovative solutions.

Our team covers everything from initial concept development to mass produced product. KLT specializes in customized camera design, raw material, electronic engineering, firmware/software development, product testing, and packing design. Our experienced strategic supply systems offer a robust and dependable manufacturing capacity for orders of various sizes.

www.KaiLapTech.com

www.KaiLapTech.com



Limited Warranty

KLT provides the following limited warranty if you purchased the Product(s) directly from KLT company or from KLT's website, www.KaiLapTech.com. Product(s) purchased from other sellers or sources are not covered by this Limited Warranty. KLT guarantees that the Product(s) will be free from defects in materials and workmanship under normal use for a period of one (1) year from the date you receive the product ("Warranty Period").

For all Product(s) that contain or develop material defects in materials or workmanship during the Warranty Period, KLT will, at its sole option, either: (i) repair the Product(s); (ii) replace the Product(s) with a new or refurbished Product(s) (replacement Product(s) being of identical model or functional equivalent); or (iii) provide you a refund of the price you paid for the Product(s).

This Limited Warranty of KLT is solely limited to repair and/or replacement on the terms set forth above. KLT is not reliable or responsible for any subsequent events.





CMOS CAMERA MODULES



your BEST camera module partner

KLT Strength

Powerful Factory



Professional Service



Promised Delivery



www.KaiLapTech.com sales@KaiLapTech.com Tel: (852) 6908 1256 Fax: (852) 3017 6778

All rights reserved @ Kai Lap Technologies Group Ltd. Specifications subject to change without notice.